

COMPONENT REFERENCES ARE APPENDED BY "|P|S|" WHERE:  
P = MOTOR PHASE (A/B/C)  
S = MOTOR SIDE (R/L)  
SO FOR RIGHT MOTOR PHASE A: APPEND WITH "AR"

NOT FOR COMMERCIAL/PRODCUTION USE

Sheet: /R\_MTR\_PHA/  
File: hh\_bridge.sch

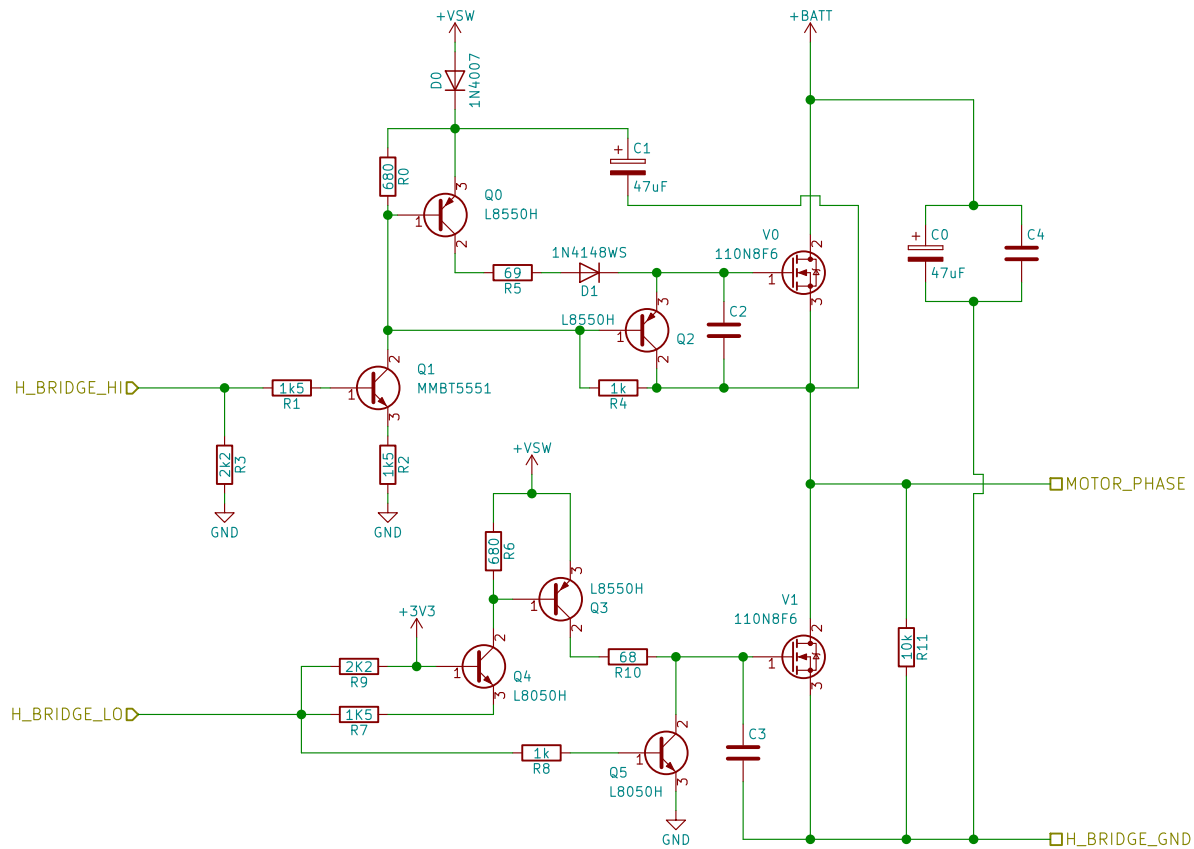
**Title: MOTOR\_PHASE\_H\_BRIDGE**

Size: A4 Date: 2018-03-27

KiCad E.D.A. kicad 4.0.7

Rev: R01

Id: 2/13



COMPONENT REFERENCES ARE APPENDED BY "|P|S|" WHERE:  
 P = MOTOR PHASE (A/B/C)  
 S = MOTOR SIDE (R/L)  
 SO FOR RIGHT MOTOR PHASE A: APPEND WITH "AR"

NOT FOR COMMERCIAL/PRODCUTION USE

Sheet: /R\_MTR\_PHB/  
 File: hh\_bridge.sch

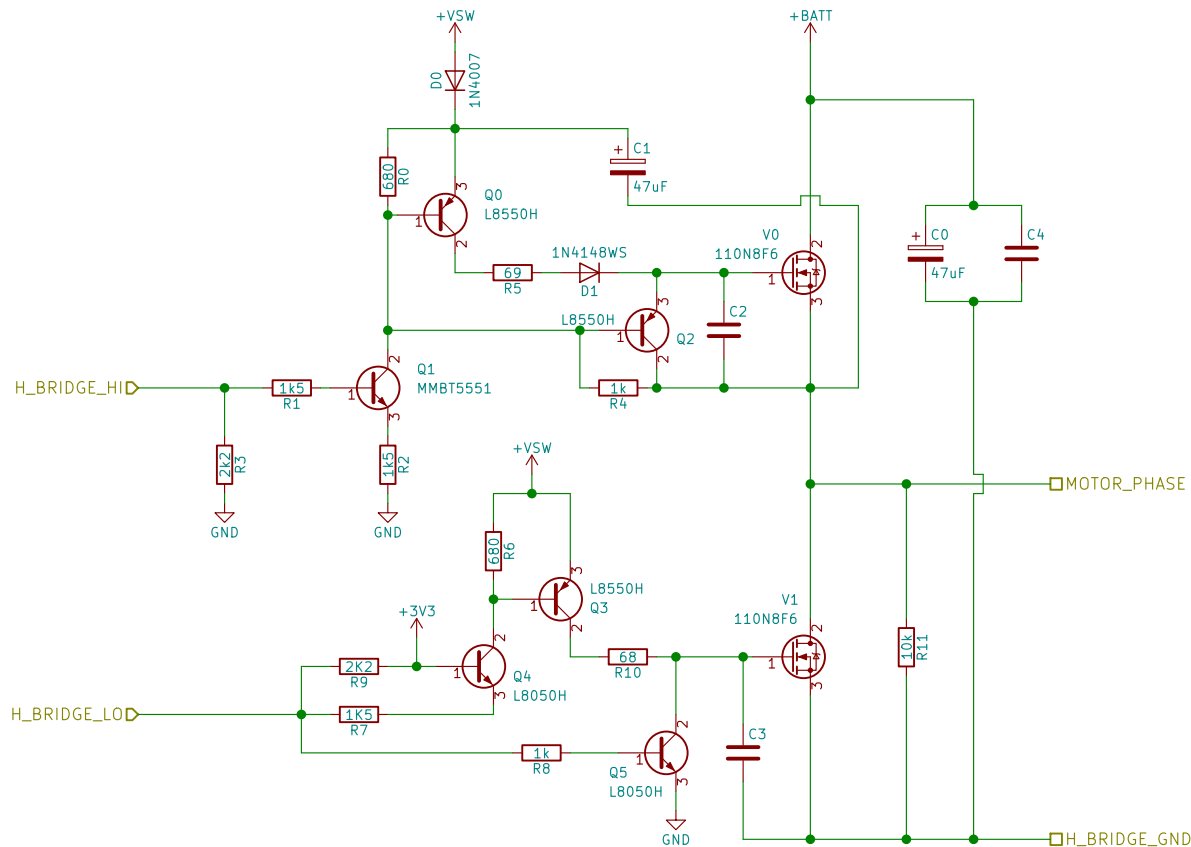
**Title: MOTOR\_PHASE\_H\_BRIDGE**

Size: A4 Date: 2018-03-27

KiCad E.D.A. kicad 4.0.7

Rev: R01

Id: 3/13



COMPONENT REFERENCES ARE APPENDED BY "|P|S|" WHERE:  
 P = MOTOR PHASE (A/B/C)  
 S = MOTOR SIDE (R/L)  
 SO FOR RIGHT MOTOR PHASE A: APPEND WITH "AR"

NOT FOR COMMERCIAL/PRODCUTION USE

Sheet: /R\_MTR\_PHC/  
 File: hh\_bridge.sch

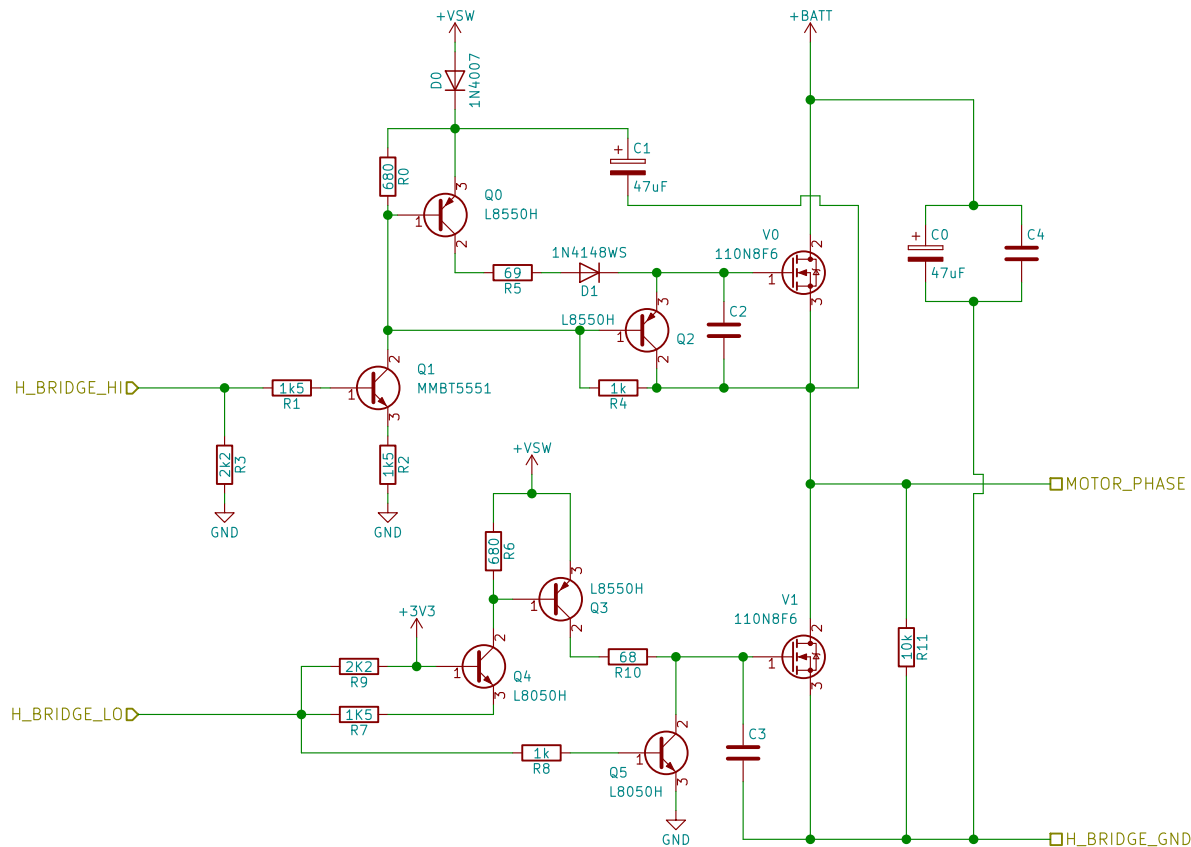
**Title: MOTOR\_PHASE\_H\_BRIDGE**

Size: A4 Date: 2018-03-27

KiCad E.D.A. kicad 4.0.7

Rev: R01

Id: 4/13



COMPONENT REFERENCES ARE APPENDED BY "|P|S|" WHERE:  
 P = MOTOR PHASE (A/B/C)  
 S = MOTOR SIDE (R/L)  
 SO FOR RIGHT MOTOR PHASE A: APPEND WITH "AR"

NOT FOR COMMERCIAL/PRODCUTION USE

Sheet: /L\_MTR\_PHA/  
 File: hh\_bridge.sch

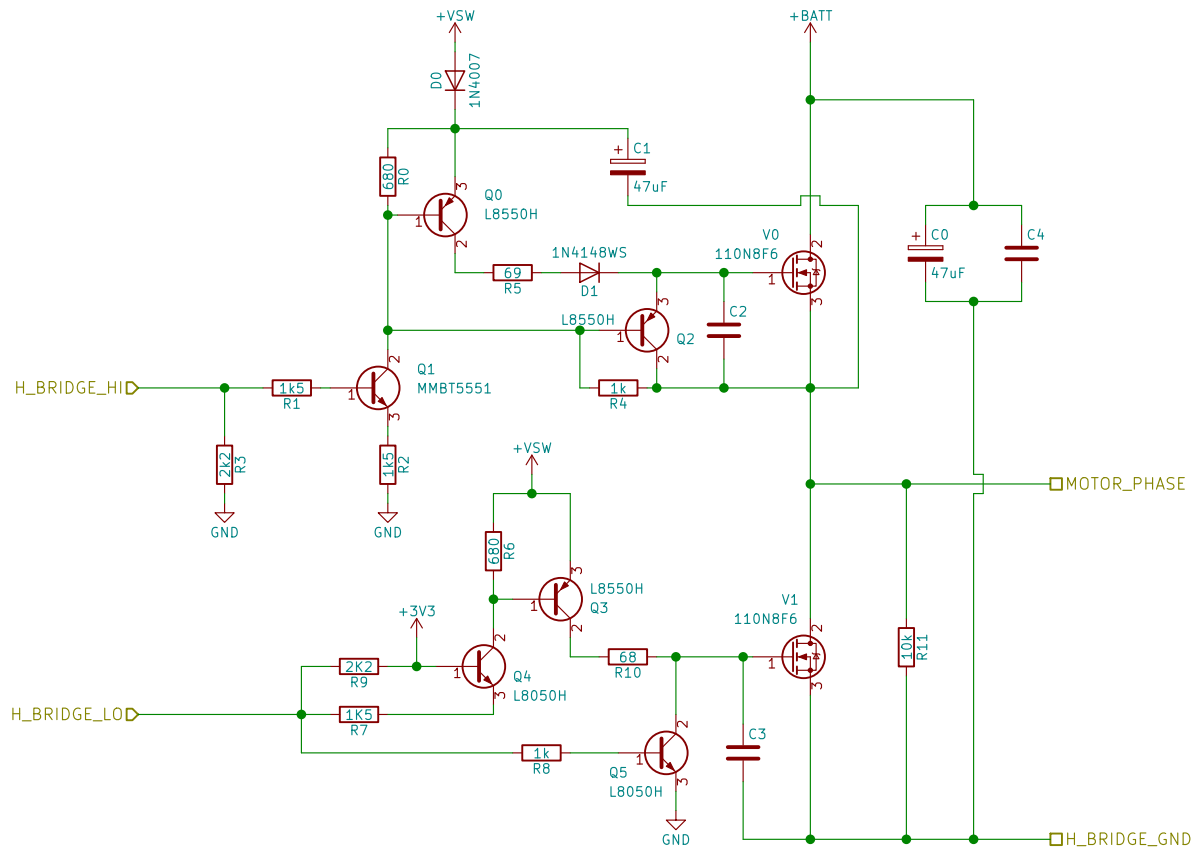
**Title: MOTOR\_PHASE\_H\_BRIDGE**

Size: A4 Date: 2018-03-27

KiCad E.D.A. kicad 4.0.7

Rev: R01

Id: 5/13



COMPONENT REFERENCES ARE APPENDED BY "|P|S|" WHERE:  
P = MOTOR PHASE (A/B/C)  
S = MOTOR SIDE (R/L)  
SO FOR RIGHT MOTOR PHASE A: APPEND WITH "AR"

NOT FOR COMMERCIAL/PRODCUTION USE

Sheet: /L\_MTR\_PHB/  
File: hh\_bridge.sch

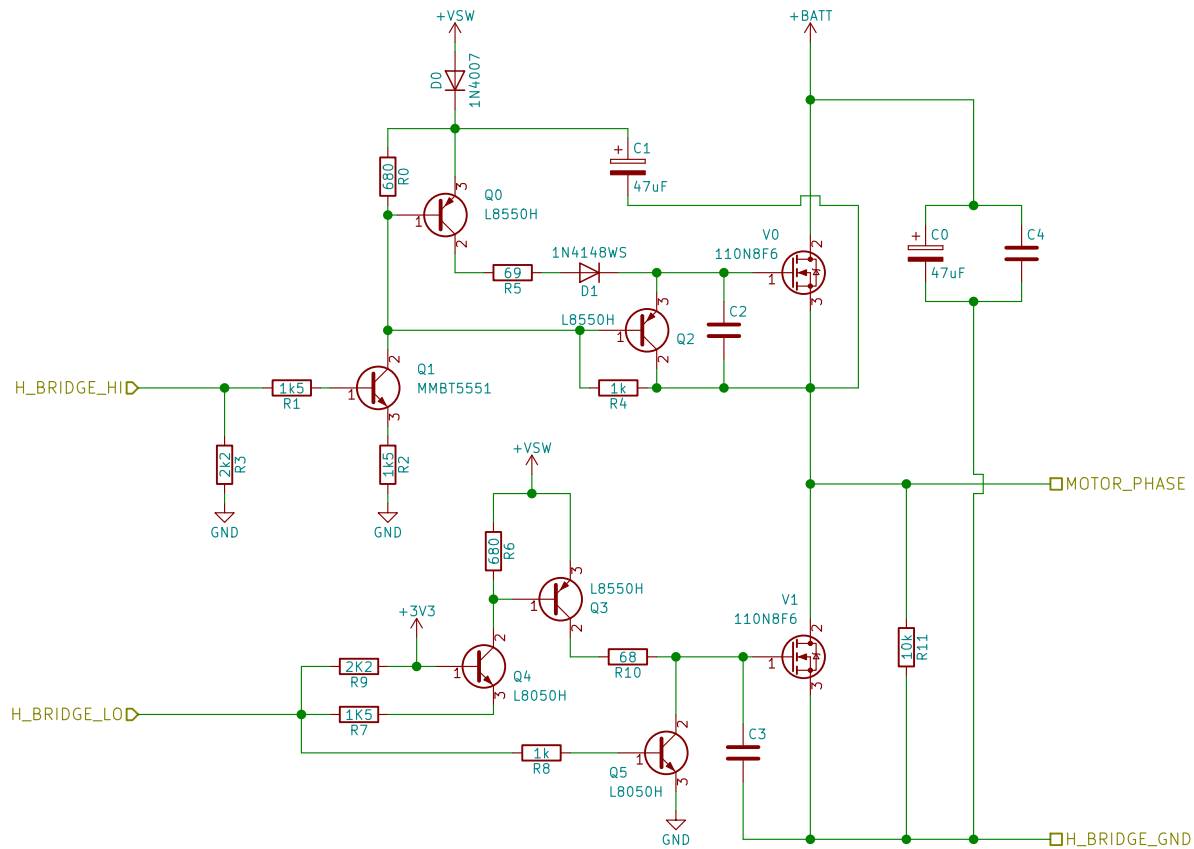
**Title: MOTOR\_PHASE\_H\_BRIDGE**

Size: A4 Date: 2018-03-27

KiCad E.D.A. kicad 4.0.7

Rev: R01

Id: 6/13



COMPONENT REFERENCES ARE APPENDED BY "|P|S|" WHERE:  
P = MOTOR PHASE (A/B/C)  
S = MOTOR SIDE (R/L)  
SO FOR RIGHT MOTOR PHASE A: APPEND WITH "AR"

NOT FOR COMMERCIAL/PRODCUTION USE

Sheet: /L\_MTR\_PHC/  
File: hh\_bridge.sch

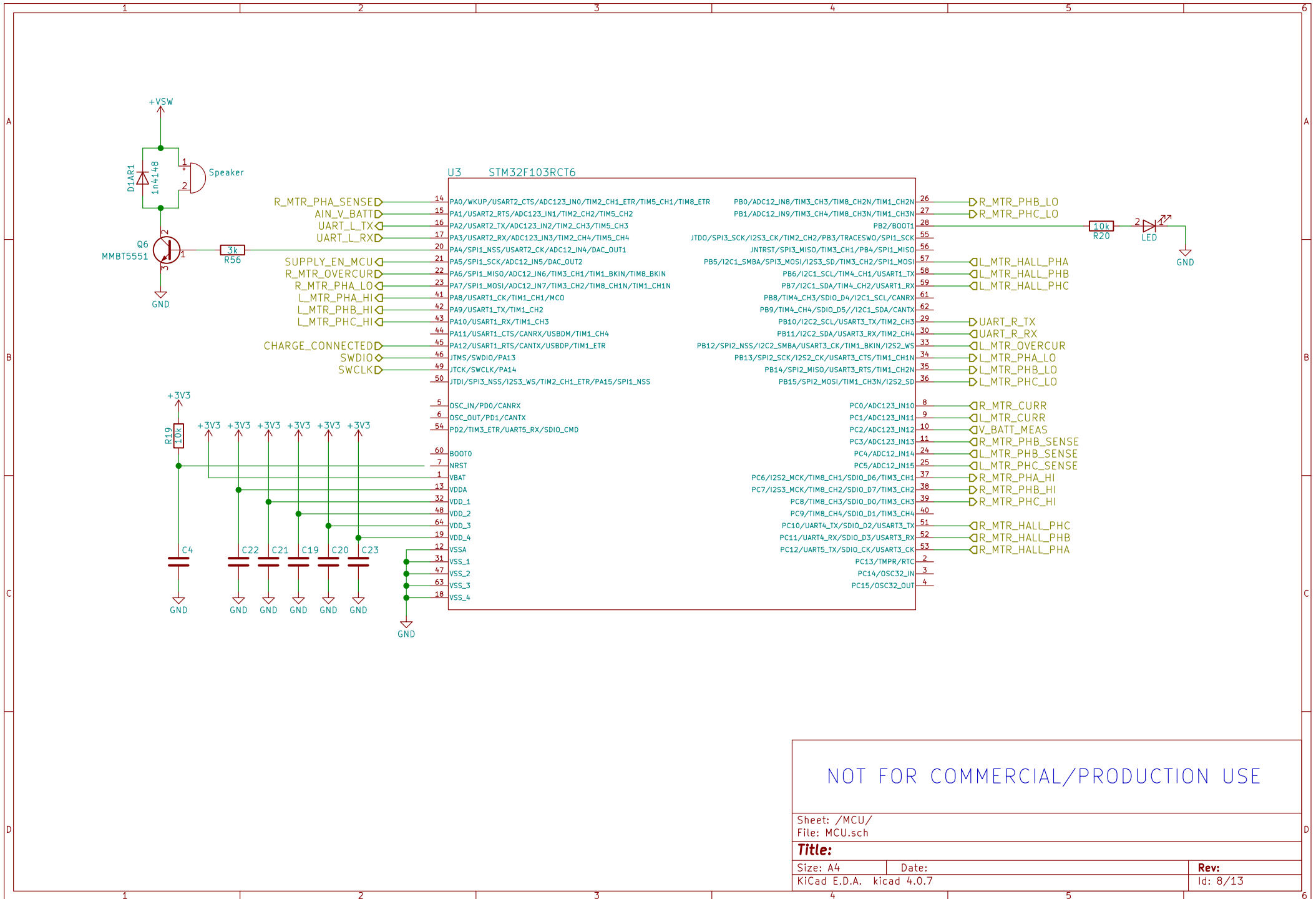
**Title: MOTOR\_PHASE\_H\_BRIDGE**

Size: A4 Date: 2018-03-27

KiCad E.D.A. kicad 4.0.7

Rev: R01

Id: 7/13



NOT FOR COMMERCIAL/PRODUCTION USE

Sheet: /MCU/  
 File: MCU.sch

Title:

Size: A4  
 KiCad E.D.A. kicad 4.0.7

Date:

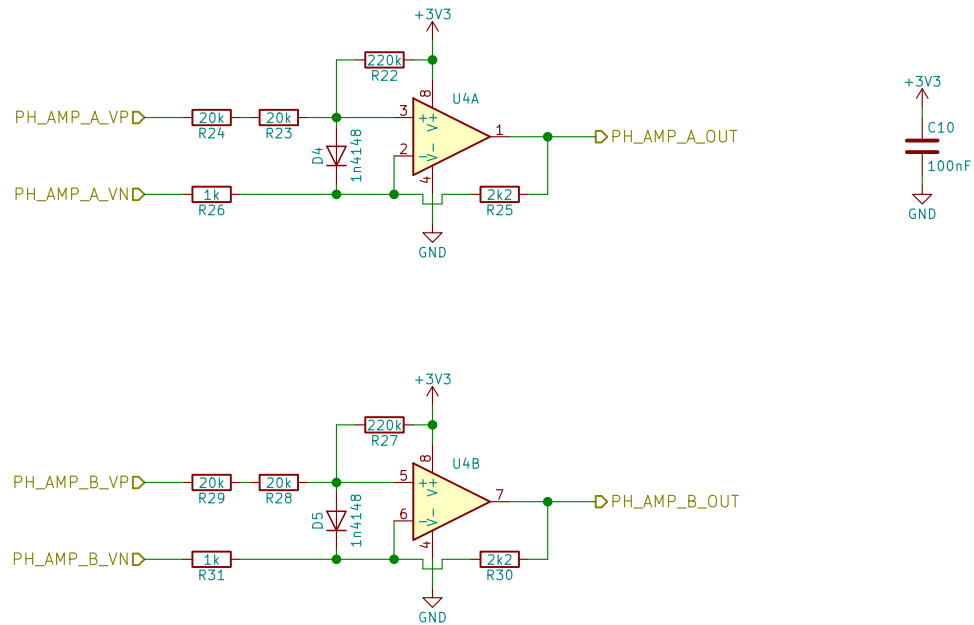
Rev:

Id: 8/13



IC PACKAGE HAS MARKING: SD51 1548C.  
I COULD NOT FIND THE DATASHEET FOR A DEVICE WITH THIS MARKING  
BUT I AM CONFIDENT THIS IS THE CORRECT SCHEMATIC

COMPONENT REFERENCES APPENDED BY (R/L) DEPENDING ON MTR



NOT FOR COMMERCIAL/PRODUCTION USE

Sheet: /L\_MTR\_PH\_SENSE/  
File: phase\_sense.sch

**Title:**

Size: A4  
KiCad E.D.A. kicad 4.0.7

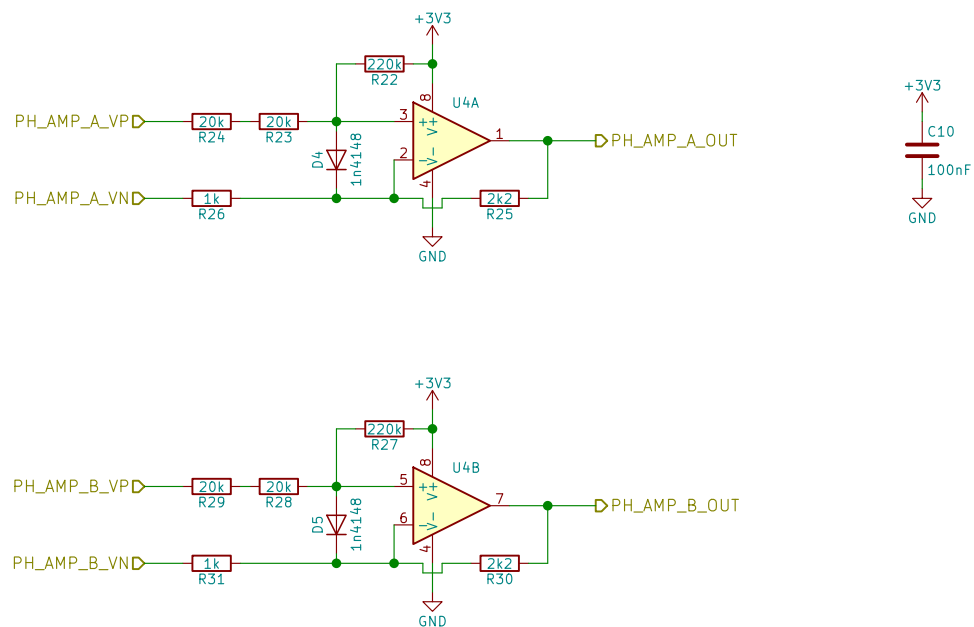
Date:

**Rev:**

Id: 9/13

IC PACKAGE HAS MARKING: SD51 1548C.  
I COULD NOT FIND THE DATASHEET FOR A DEVICE WITH THIS MARKING  
BUT I AM CONFIDENT THIS IS THE CORRECT SCHEMATIC

COMPONENT REFERENCES APPENDED BY (R/L) DEPENDING ON MTR



NOT FOR COMMERCIAL/PRODUCTION USE

Sheet: /R\_MTR\_PH\_SENSE/  
File: phase\_sense.sch

**Title:**

Size: A4

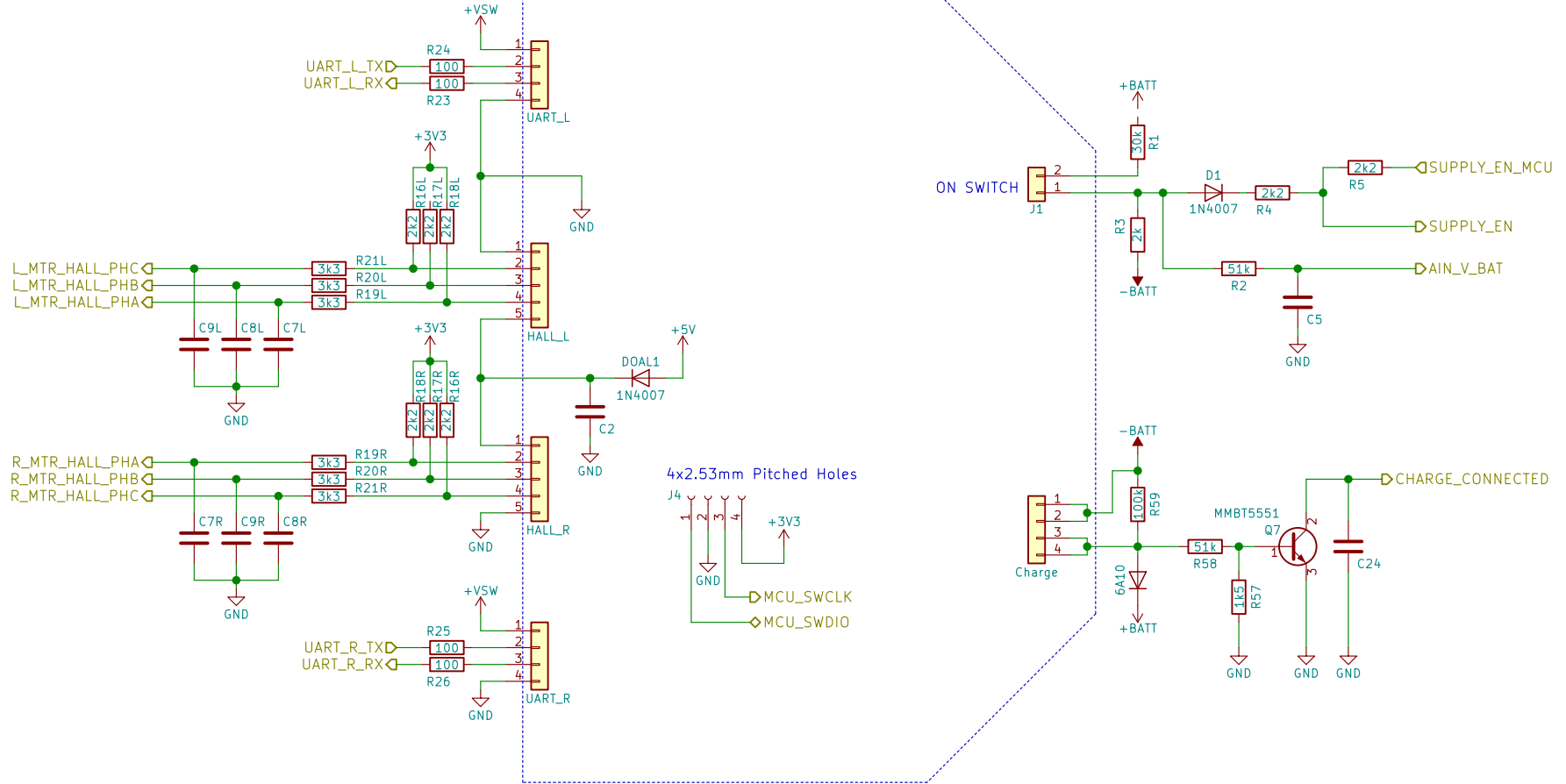
Date:

KiCad E.D.A. kicad 4.0.7

**Rev:**

Id: 10/13

TOP VIEW



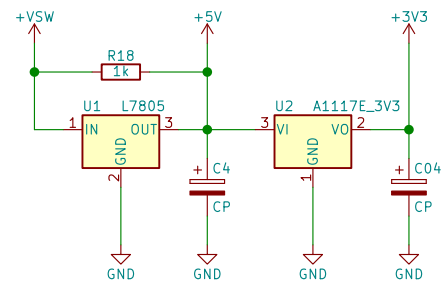
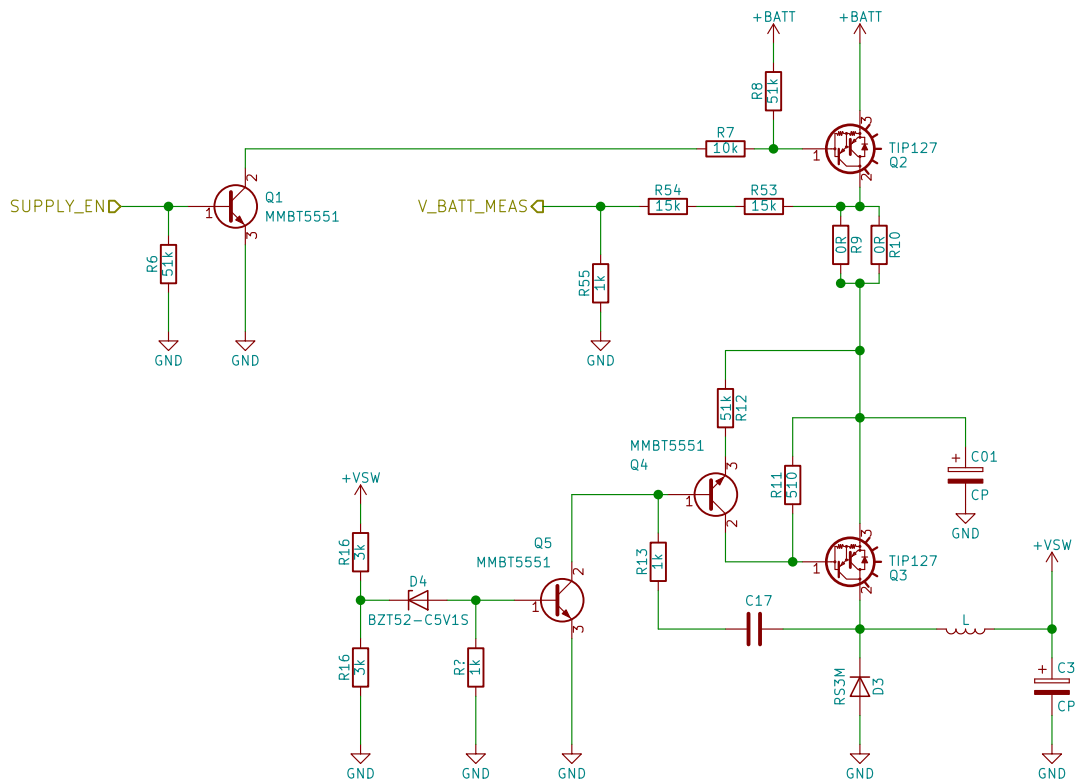
NOT FOR COMMERCIAL/PRODUCTION USE

Sheet: /CONNECTORS/  
File: connectors.sch

**Title:**

Size: A4 Date:  
KiCad E.D.A. kicad 4.0.7

**Rev:**  
Id: 11/13



NOT FOR COMMERCIAL/PRODUCTION USE

Sheet: /SUPPLIES/  
File: supplies.sch

**Title:**

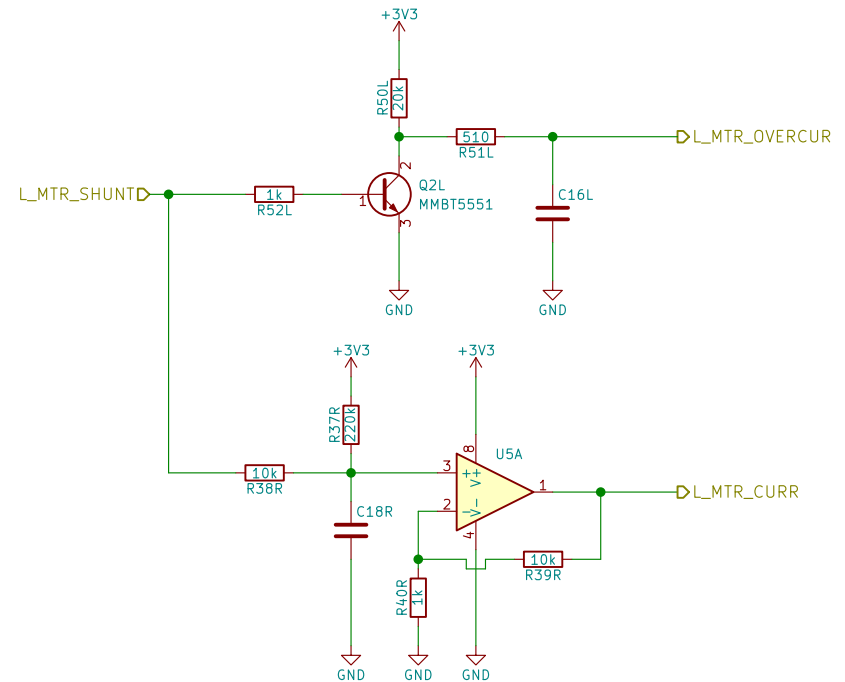
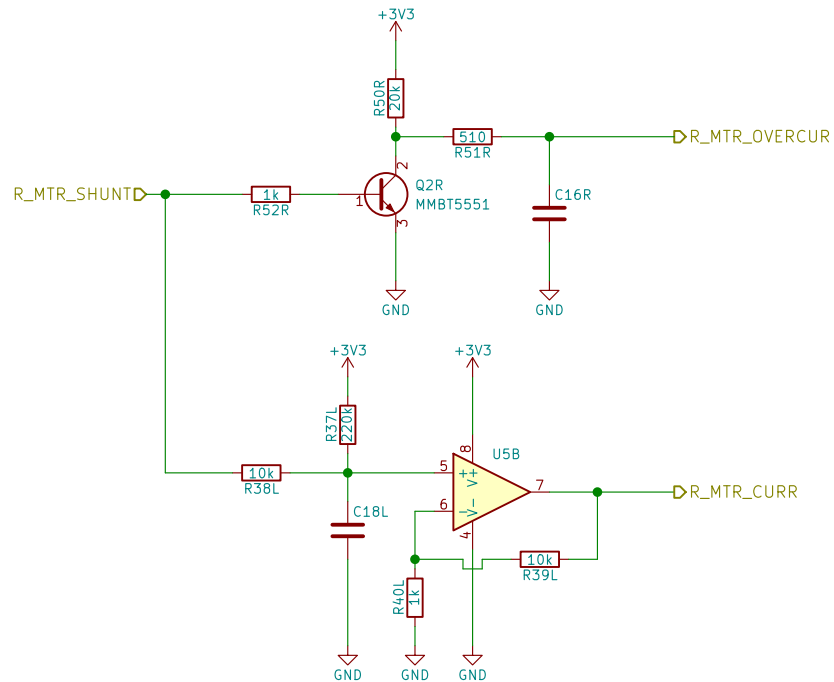
Size: A4  
KiCad E.D.A. kicad 4.0.7

Date:

**Rev:**  
Id: 12/13

IC PACKAGE HAS MARKING: A42S FYFh  
I COULD NOT FIND THE DATASHEET FOR A DEVICE WITH THIS MARKING  
BUT I AM CONFIDENT THIS IS THE CORRECT SCHEMATIC

COMPONENT REFERENCES (R/L) SEEM MIXED ON PCB. SHOWN HERE AS IS.



NOT FOR COMMERCIAL/PRODUCTION USE

Sheet: /CURRENT\_SENSE/  
File: current\_sense.sch

Title:

Size: A4

Date:

KiCad E.D.A. kicad 4.0.7

Rev:

Id: 13/13